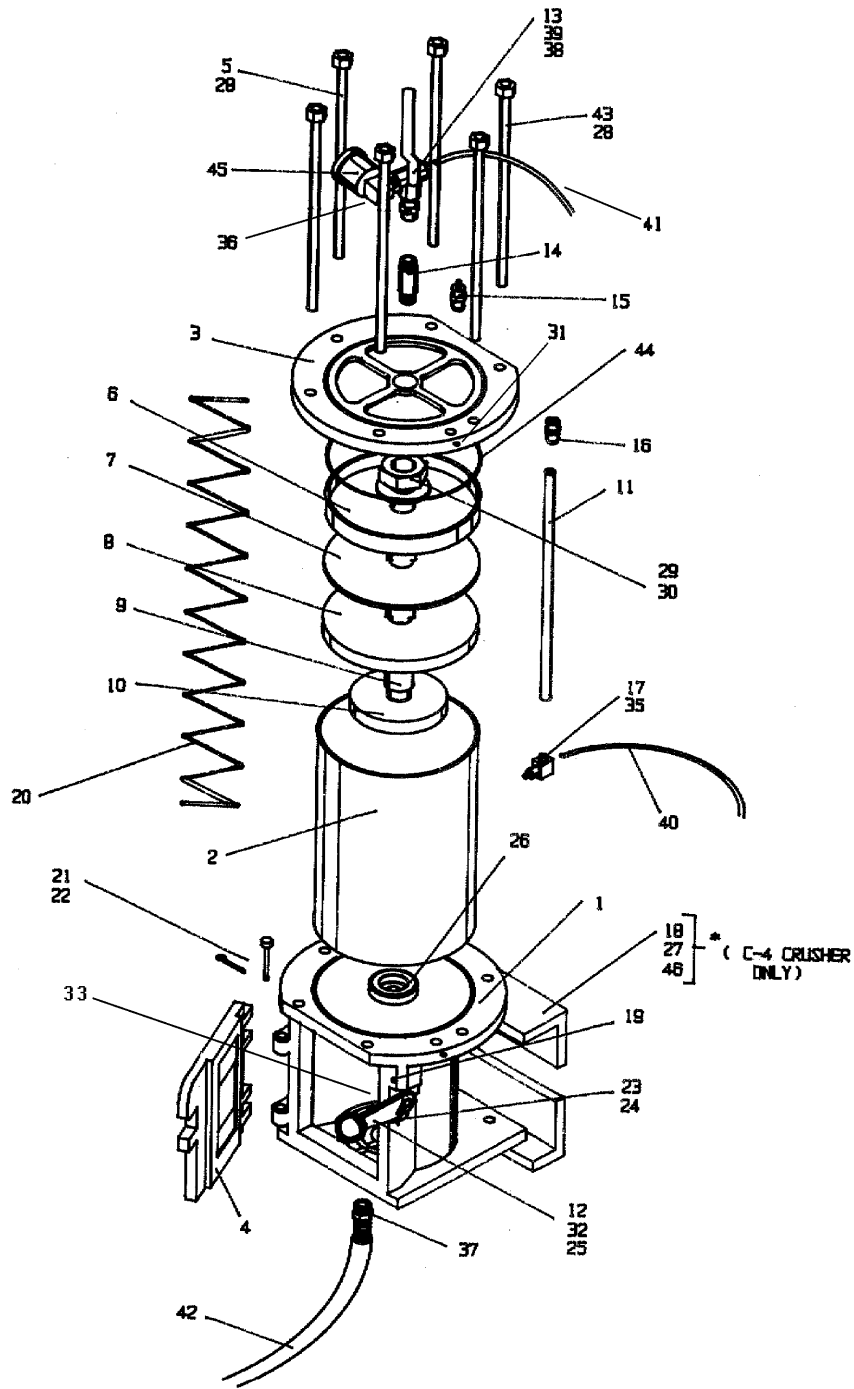


ITEM No.	QTY.	PT. #	DESCRIPTION
1	1	-1001	BASE (CASTING)
2	1	-1002	AIR CYLINDER
3	1	-1003	TOP PLATE (CASTING)
4	1	1004	DOOR
5	4	-1005	ROD
6	1	-1006	NEOPRENE CUP
7	1	-1007	TOP BEARING
8	1	1008	CUP PLATE
9	1	-1009	SHAFT
10	1	-1010	PUSH PLATE
11	1	-1011	AIR TUBE
12	1	-1012	LATCH BRONZE BUSHING
*13	1	-1013	BALL-VALVE (COMPLETE)
14	1	-1014	1/2" NPT NIPPLE x 3"
15	1	-1015	SAFETY VALVE
16	1	-1016	1/8" NPT MALE CONNECTOR
17	1	-1017	DOOR SAFETY SWITCH
18	2	-1018	MOUNTING BRACKET *(C-4 ONLY)
19	1	-1019	PLUNGER & SPRING
20	1	-1020	RETURN SPRING
21	2	-1021	HINGE PIN
22	2	-1022	COTTER PIN

ITEM No.	QTY.	PT. #	DESCRIPTION
23	1	-1023	LATCH SPRING
24	1	-1024	3/8" x 2 1/4" HEX BOLT
25	2	-1025	3/8" FLAT WASHER
26	1	-1026	BOTTOM BEARING
27	4	-1027	BRACKET FASTENER (NUT) *(C-4 ONL)
28	6	-1028	STAR WASHER 1/2"
29	1	-1029	1 1/4" SAE JAM NUT
30	1	-1030	1 1/4" SAE FLAT WASHER
31	1	-1031	1/4-20 x 1/2" LG. SET SCREW
32	1	-1032	LATCH ARM
33	1	-1033	3/8" STOVER NUT
35	1	-1035	HEX NIPPLE 1/8" NPT
*36	1	-1036	STREET ELBOW 1/2" NPT
37	1	-1037	DRAIN HOSE ADAPTER
*38	1	-1038	REDUCING BUSHING
*39	1	-1039	MALE CONNECTOR 1/8" NPT
40	1	-1040	1/4"x 12" LG. AIR HOSE
41	1	-1041	BLACK POLY AIR TUBING
42	1	-1042	DRAIN HOSE
43	2	-1043	EXTENDED ROD
44	1	-1044	O-RING
*45	1	-1045	MUFFLER
46	2	-1046	1/2"-13 x 1 1/2" HEX BOLT (C-4 ONLY)

\* "VALVE ASSEMBLY"- COMPLETE



B. J. ENTERPRISES		
SCALE: N/A	CRUSHER ASSEMBLY	DATE: 5/24/04
P/NO: ABJ1002-0		DRN. BY: R.D.S.
		APPROV. BY:
	DRAWING No.: ABJ1002-0	REVISION: 1